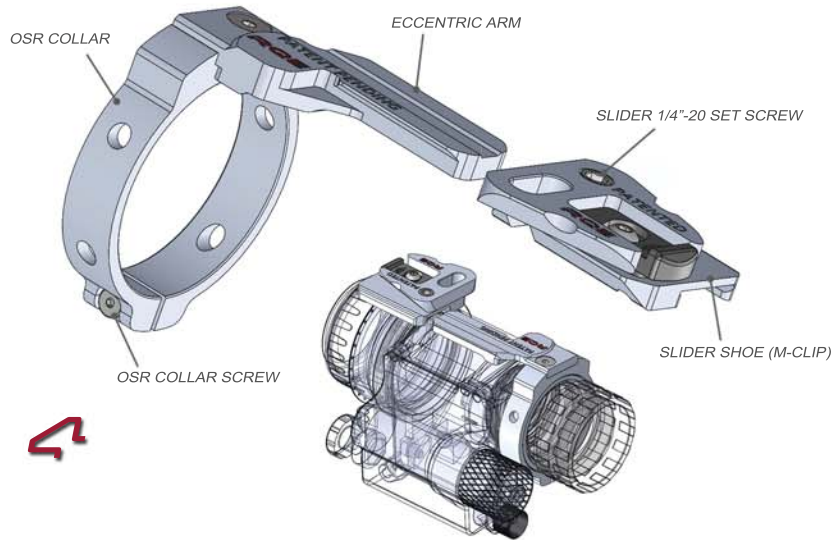


OSS OVERVIEW

OBVERSE SHOE SET-FOR LEGACY FORMAT PVS-14

- The OSS is a two (2) shoe interface system designed to adapt to both legacy and newer more robust PVS-14 type monocular housing formats for modular and open-source adaptation hardware.
- The two (2) separate shoes may be used on the same monocular device, or in typical form split between 2 separate monoculars for co-use without the concerns of monoculars colliding with another due to housing overlap width.

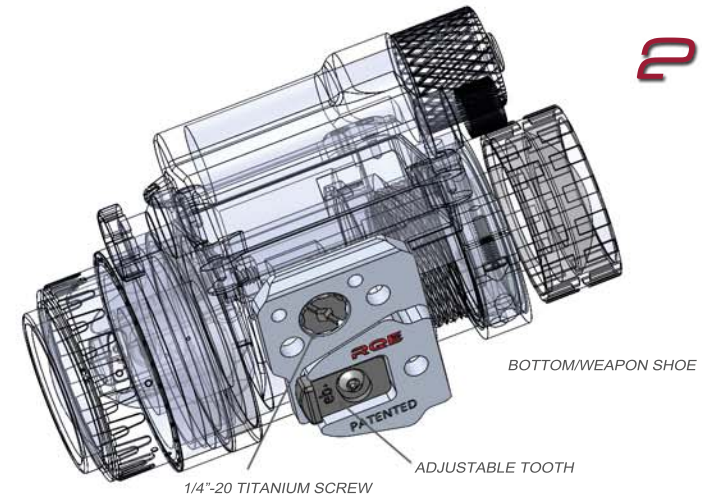
1



4

- To mount the FLOATING SHOE, slide the collar over the objective lens and onto the objective lens stop ring. **DO NOT TIGHTEN THE COLLAR YET.**
- Install the M-CLIP shoe onto the eccentric arm. Ensure the M-CLIP is fully forward and secured via the 1/4\"-20 set screw. Following the initial fit, the M-CLIP/Slider Shoe may be repositioned as needed.
- Rotate the FLOATING SHOE assembly to a optimum location near the top of the monocular housing. This position is typically where the assembly is stopped by material features. ENSURE the inside collar shoulder is flush against the front monocular wall BEFORE SECURING the collar. Tighten the 4-40 split collar screw. **DO NOT OVER-TIGHTEN.**

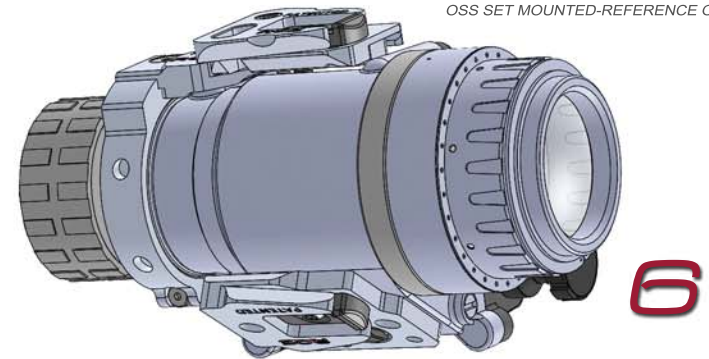
5



- The BOTTOM/WEAPON shoe is anchored to the PVS-14 type monocular via the standard 1/4\"-20 threaded receiver. The alignment set screw supports anti-rotation of the BOTTOM/WEAPON shoe and **should not be over-tightened.**
- Install the BOTTOM/WEAPON shoe by backing the set screw away from the mating face of the monocular housing. Mate the main 1/4\"-20 into the receiver until the screw is snug with the shoe and aligned fore/aft with no movement.
- Once the Bottom/Weapon shoe is secured firmly and aligned properly the set screw can be tightened until it makes contact with the monocular wall. **DO NOT OVER TIGHTEN THE SET SCREW, you may damage the monocular housing.**

3

OSS SET MOUNTED-REFERENCE ONLY



WARNINGS:

DO NOT UNDER ANY CIRCUMSTANCES USE THE TOP/FLOATING SHOE FOR WEAPON USE.
DO NOT OVER TIGHTEN OR FORCE COMPONENTS. PLASTIC PARTS MAY DEFORM/FAIL.
CONTACT RQE DIRECTLY IF YOU HAVE ANY QUESTION REGARDING INSTALLATION BEFORE DAMAGING OPTICS.